

## TURBO 90

Small machine with wide stand for industrial applications such as golf balls, watch dials or small precision 1 color jobs.  
Max. 80mm diameter printing area with auto pad clean.

Exclusive US Agent of:  
**KENT**  
INTERNATIONAL



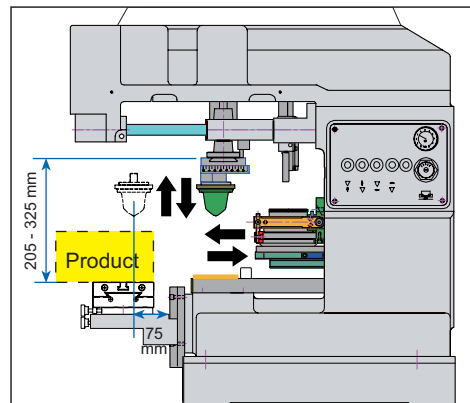
PLC control touch screen panel



Auto pad clean



Platform in / out movement  
(Pad clean underneath)



Maximum space for product/image with advantage of auto pad clean function

### FEATURES

- Single color automatic pad printer
- Rigid aluminium cast machine frame
- Wide machine stand
- Platform in/out movement
- Pneumatic power machine operation
- Use sealed ink cup set up
- Compatible with long life thin steel, polymer, 10 mm steel and laser ALP plates
- Dead-on printing plate registration for quick job change
- PLC control touch screen panel
- Automatic pad clean with programmable cleaning cycle
- Pad stroke & speed adjustment
- Special functions: double ink / print cycles, dwell and delay before print
- Digital pad stroke (DPS) for variable printing depth
- Hardened ground steel shaft with impregnated bushing ensure friction-free movement
- High speed and smooth machine operations

### SPECIFICATIONS

Ink cup size :	Ø90 mm
Printing Plate size :	100 x 250 mm
Max. speed : (dry cycle) *	1,200 / hr.
Pad compression :	1,178N
Pad cylinder :	50 mm
Pad carriage stroke (in/out) :	147 mm
Power:	110/220V
Air consumption :	118 liter/min. (aprox.)
Accuracy +/- :	0.05 mm
Size : L x W x H	850 x 615 x 1,475 mm mm

\* Please note that actual output may be affected by print requirement, ink drying condition, load/unload arrangement, pad stroke speed, pad hardness, production setup, product quality and production control.